

ADAS HD

ADAS HD

Commercial Vehicle ADAS Calibration Equipment



Scan for more information

ADAS HD is an industry-leading professional ADAS system calibration equipment for commercial vehicles, which can provide professional ADAS calibration solutions for commercial vehicle service stations.



Align Parallel in One Minute



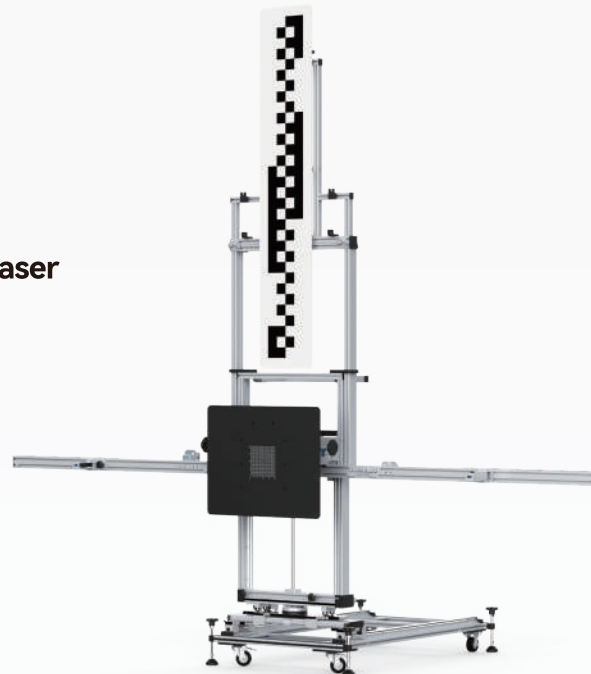
Distance Measurement and Positioning by Laser



Millimeter-level Calibration Accuracy



Both Beam and Main Frame Can Be Folded



Features

1. Innovative one-piece full folding design, fully folded for easy transportation, and half folded for easy movement;
2. Support horizontal angle, front and rear, left and right fine-tuning, the beam can be manually raised and lowered, and the centering and paralleling can be completed in 1 minute;
3. Equipped with a millimeter-level laser rangefinder to ensure calibration accuracy;
4. Support LDW and ACC system calibration of domestic and foreign most commercial vehicles;
5. The software provides graphic tutorials and step-by-step guidance;
6. Support the output of comparison reports before and after calibration.

Functions

1. Supports LDW and ACC System Calibration for Commercial Vehicles;
2. **Device Folding:** Supports folding of the beam and bracket, accommodating three modes: full folding, half folding, and fully extended;
3. **Device Fine-Tuning:** Supports front-back, left-right, and angle fine-tuning;
4. **Device Elevation:** Supports manual elevation adjustment, using a laser rangefinder for height positioning;
5. **Parallel Alignment:** Achieves parallel positioning between the device and the vehicle using a laser rangefinder, and center alignment using a line laser;
6. **Level Adjustment:** Observe the bubble level, adjust the base's leveling cups, and achieve device leveling.



Full folding



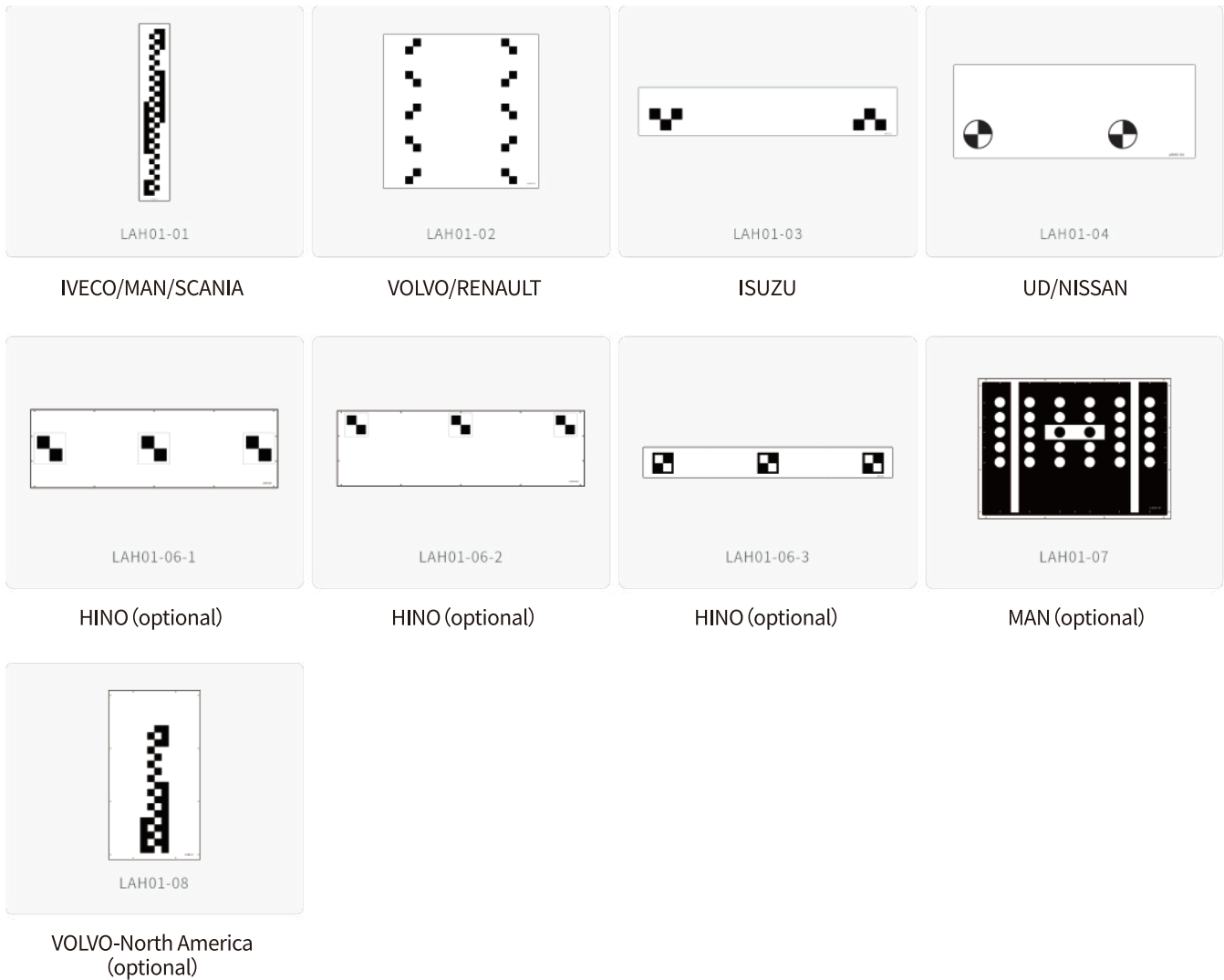
Semi folding



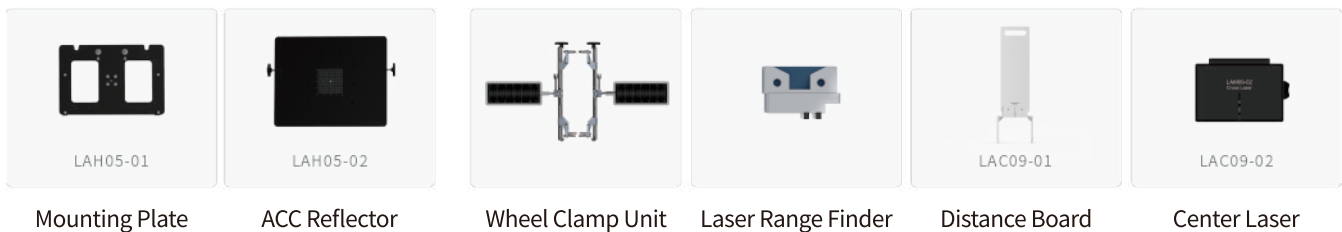
Full deployment

ADAS HD Targets & Accessories

LDW Targets



Radar Targets



Accessories

Vehicle Coverage

Dynamic Calibration

Mercedes, RENAULT, DAF, Erf, SISU, MAN, UD, FUSO, IVECO, ISUZU, VOLVO, Freightliner, Setra, SCANIA...

Static Calibration

Mercedes, RENAULT, Mack, International, MAN, UD, IVECO, ISUZU, VOLVO, Freightliner, Kenworth, Peterbilt...

Note: This list is continually updating.